

E Catalog

GRAB BUCKET



HELLO!

We believe in best output resulting from smart effort. By approaching towards our valuable products, you will get utmost and remarkable benefits of cost saving in the form of time saving. Let's make future brighter by moving ahead together.



+91 93289 16310
+91 99091 79617



info@leistertech.com
hasengimech@gmail.com



www.leistertech.com



Created By:
Hashmukh Chaudhari



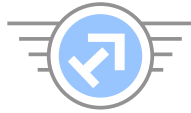
LEISTERTECH

About Our Company

We are prominent firm engaged in the manufacturing and providing the wide range of

GRAB BUCKET

FOUNDRY SLAG SKIMMER



LINING VIBRATOR

FOUNDRY FURNACE PUSHER

WHAT WE DO?

Leistertech is manufacturing
Grab Buckets | Lining Vibrator



OUR FACILITIES

The latest production
& quality control facilities



MISSION

The company aims
towards customer
satisfaction



LEISTERTECH

WE OFFERS

Grab solution for
Steel plant industry,
Foundry plant &
Shipping industry



QUALITY

The company has its own
Quality System amended



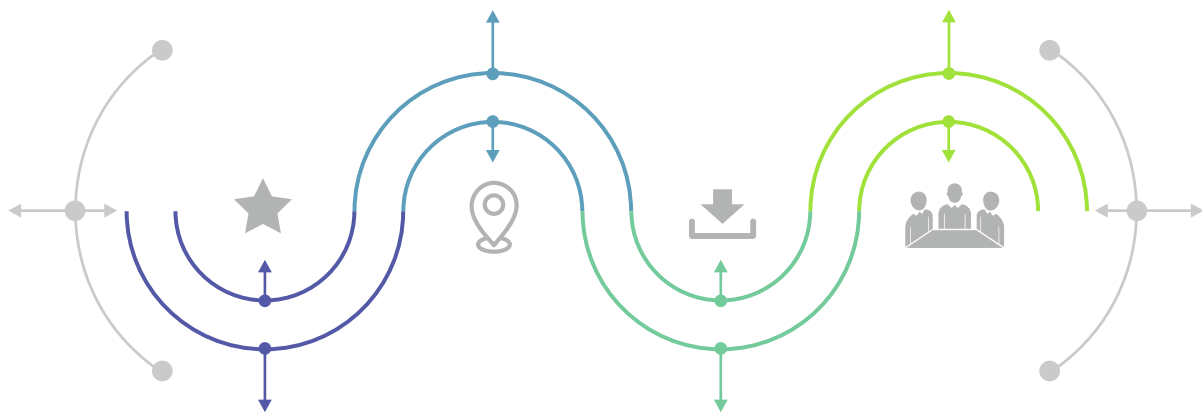
LOCATION

Leistertech is
located at AHMEDABAD



1000 SQ.YARD
FABRICATION SHOP

ROOT-LEVEL, INVOLVING &
TRAINING ALL EMPLOYEES



LATEST PRODUCTION &
QUALITY CONTROL FACILITIES

MACHINERY AND
TESTING INSTRUMENTS

GRAB BUCKETS

We are a prominent firm engaged in providing a wide range of



Clamshell grab bucket

Clamshell grab buckets that is widely used for managing limestone, iron scrap, sugarcane, bulk cargos and also for wooden logs and dredging purpose.



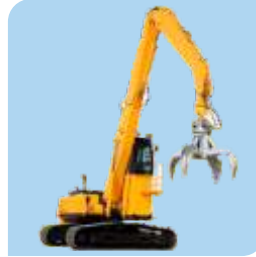
Log grab bucket

The log grab you can lift and transport single logs or smaller timber bundles. A strong log grab for customers who need to move tree trunks, logs etc.



Orange peel grab bucket

Leistertech orange peel grabs for handling waste, turnings, biomass, cut tyres and domestic & light industrial waste.



Excavators grab buckets

This is specially used to drilling bushing holes, rock bolt holes in the rock mass for the purpose of removing rock at the Mining site, stone pit, tunnel construction site.



Four rope mech. grab

It can simply be hooked on to your overhead crane with sufficient lifting capacity and provided height, without any other accessories. It operates as unlocking system for opening the grab is operated by self-operating hook.



Mill scale grab

It can simply be hooked on to your overhead crane with sufficient lifting capacity and provided height, without any other accessories. It operates as unlocking system for opening the grab is operated by self-operating hook.

APPLICATION

Scrap handling at steel making industries
Coal and bulk material handling
Port excavation handling
Mill scale handling | Timber handling
Well sinking | Iron Ore handling

WORKING SPECIFICATION

Grab Density 0.7 T/M3 to 3.5T/M3
Working system: 380V-415V 50 Hz or 440V 60 Hz
Hydraulic Pressure 130-250 bar
High quality hydraulic cylinder with chrome plated
Manufacturing with high quality grade hardox 500

ADVANTAGES OF GRAB BUCKET

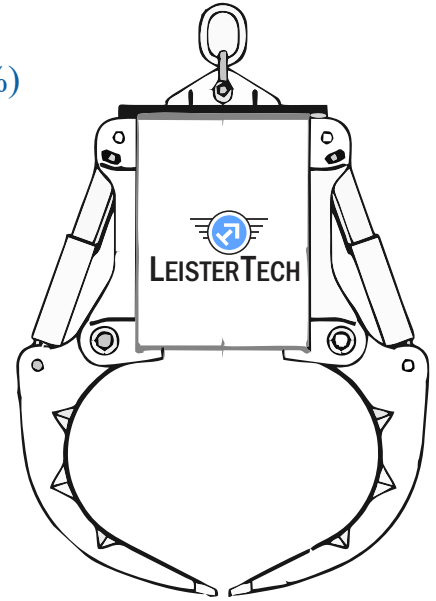
- Operator can see the scrap being handled by the grab from his seat & hence can drop it conveniently.
- Handling scrap with electromagnets on furnace platform reduces the life of platform as magnetic flux of electromagnet pulls up the reinforced steel rods inside concrete slab. This does not happen with electro-hydraulic grab.
- No need of isolation transformer, diodes, electronic components.
- Excellent on measures of MTTR (Mean Time to Repair).
- Ease for both maintenance as well as operation people.
- Lesser dead weight than equivalent capacity of electromagnet on the crane.
- Charges almost 4 times the volume of scrap than electromagnet.
- Much less power consumption as compared to electromagnet of equivalent capacity.
- No damages involved in case of electricity failure which is very problematic in case of magnet. Reduces operations of EOT cranes.
- No risk of insulation failure.
- No risk of "duty cycle time limit" crosses over.
- During non-ferrous metal / SS grade material is not possible with magnet and comfortable with Grab.

ELECTRO-HYDRAULIC ORANGE PEEL GRAB

FOR HANDLING CORE SCRAP, PIG-IRON, STONES, SLAG,
BALED SCRAP, OA SCRAP, GREEN PELLETS,
BLAST FURNACE...

PILED AND BULK MATERIAL DENSITY UP TO 3 t/m³ (± 15%)

- Half-open or closed design
- Jaw and tip material:extremely wear-resistant steel (HARDOX 500)
- High jaw force, high compaction factor
- Design and fabrication according standard FEM 1001/98, A8-M8
- Optimized geometry, high filling factor
- Robust structure in high elastic strength steel
- Axles of bearings:hardened special material
- Full protected hydraulic cylinders.
- VARIABLE FLOW PISTON PUMP (High pressure)
- Maintenance and lubrication free
- FEA calculation. ISO 9001/2008



TECHNICAL FEATURES

Size ①	Capacity ②		Dead Weight Grab ③	Crane ④	Motor ⑤	Intensity 400 V	Operating Pressure	Closing Time ⑥	Opening Time	Overall Dimensions mm.				Number of shells
	Volume	Load Medium												
										M ³	t	Kg	t	
LT-500	0,5	1 - 1,4	1.600	3	10	20	160	8	4	1080	1731	1550	2372	5
LT-750	0,75	1,5 1,9	1.785	4	10	20	160	8	4	1910	1700	1750	2560	5
LT-1000	1	2,2 2,5	1.925	4,5	20,5	39	200	8	4	2060	1750	1980	2700	5
LT-1250	1,25	2,5 - 2,8	2.015	5	20,5	39	200	8,5	4,5	2260	1810	2000	2980	5
LT-1600	1,6	2,7 3,4	2.300	5,5	25,5	48,5	250	8,5	4,5	2530	2075	2300	3120	6
LT-1750	1,75	2,9 - 3,6	2.412	6	31,5	61	250	8,5	4,5	2566	2115	2138	3456	6
LT-2000	2	3 - 4	2.992	6,5	31,5	61	250	8,5	4,5	2633	2160	2425	3315	6
LT-2250	2,25	3,3 - 4,4	4.390	8,7	31,5	61	225	9	5	2740	2200	2505	3500	6
LT-2500	2,5	3,7 - 4,8	4.690	9,4	31,5	61	225	9	5	2773	2260	2585	3600	6
LT-2750	2,75	4,1 - 6	4.990	10,9	31,5	61	225	9,5	5,5	2953	2510	2605	3807	6
LT-3000	3	4,4 - 6,2	5.030	11,2	40	74,5	250	9,5	5,5	3065	2550	2620	4005	6
LT-3200	3,2	5 - 7	5.150	12,1	40	74,5	250	9,5	5,5	3200	2719	2637	4023	6

Orange peel



Orange peel excavator mount



Orange peel lotus type



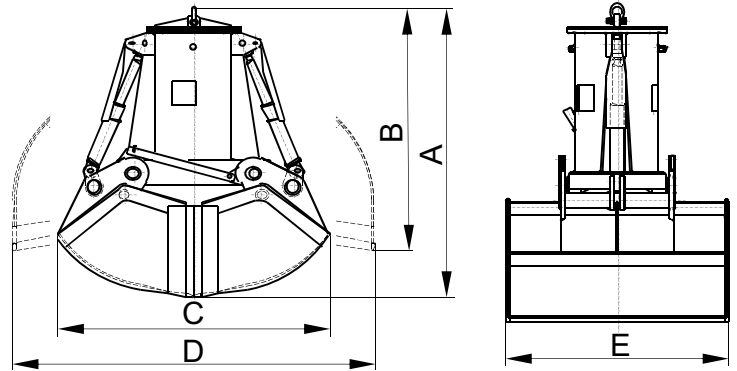
ELECTROHYDRAULIC CLAMSHELL GRAB BUCKET

Classification:

1. Wire rope mechanical mill scale type
2. Single rope clamshell
3. Two rope clamshell
4. Four rope clamshell
5. Electro hydraulic type

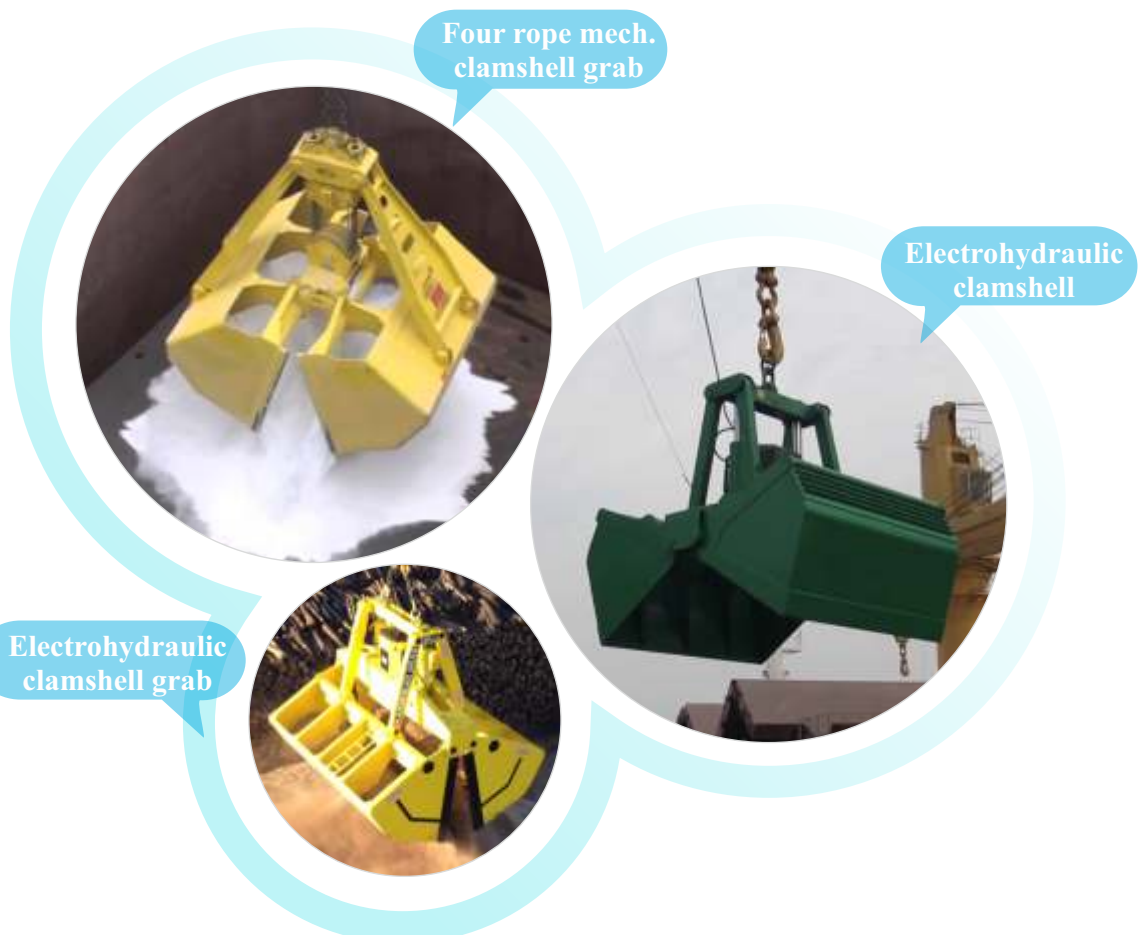
The Electro Hydraulic double scoop Clamshell grab is specially designed and developed for charging and discharging bulk materials especially scrap into the furnace or to handle DRI and at the port to handle other bulk material. It is also known as motorized hydraulic clamshell grab. It is to be fitted on cranes with one single drum. LEISTERTECH can also supply accessories which need to be mounted on your ships cranes for operation of the grabs if ship cranes are not executed with accessories.

Clamshell design with optimal penetration that allows full loading in all the operations thanks to a kinematic design at lifting and penetration mode including wear resistant lips.



TECHNICAL FEATURES

Reference	Volume Capacity	Motor 40% ed	Intensity 400V	Working Pressure	Closing Time	Opening Time	Crane SWL	Unloaded Weight	Dimensions mm					
									A	B	C	D	E	H
LT-1500	1.5	7.3	14.5	150	12	12	3.2	1490	1630	1040	1840	2540	1700	120
LT-2000	2	10	20	200	12	12	4	1680	1735	1060	1985	2725	1950	245
LT-3000	3	10	20	170	12	12	6	2625	2065	1500	2485	3220	1800	0
LT-4000	4	14.5	28	220	12	12	8	2930	2190	1355	2695	3465	2100	150
LT-5000	5	14.5	28	180	18	18	10	3400	2335	1430	2870	3725	2305	205
LT-6000	6	20.5	39	220	18	18	12	3710	2465	1465	3060	3965	2305	205
LT-7000	7	25.5	48.5	190	18	18	14	4730	2580	1540	3225	4125	2500	255
LT-8000	8	25.5	48.5	220	18	18	16	5020	2630	1555	3295	4225	2700	355



ORRISA REGION

Bajrang Steel Salasar Castings Satguru Metals
K J Ahluwalia Jaganath Steel Alloy Top Tech Steel
Shree Radhaispat Shree Ram Rolling Narebharam Steel
Vishal Ferroalloys Bagrangbaliispat

JHARKHAND

Smc Steel & Power
Galaxy Export
Chintpurnia Steel

HARYANA

MM Casting
Avtar Steel
Mahavir concast

M.P.

Tirumal Industries
Impex Commercial

RAJASTHAN

Savitri Concast Mammon Concast
Krn Alloy Ltd. Tarun Alloys Limited
Alokik Steel Mani Mahesh Pvt Ltd

MAHARASTRA

Goradia Special Steel Bhagwatisteel
Menakshi Ferroingots Kolhapur Steel
Bhagwati Ferro Casting
Arihant Enterprise

UTTAR PRADESH

Hariom Steels Industries Pawan Overseas
Saini Alloy Pvt. Ltd. Amba Shakti

A FEW OF OUR CLIENTS

GUJARAT REGION

Laxcon Steel Aia Engineering
Optel Metal. Kan Alloy Pvt. Ltd
Lubi Pump Gujarat Technocast
K.B.Ispat C M Smith & Sons
Raj Enterprise Western Alloy Ltd.
Orbit Alloy Capital Steel Ltd.

WESTBANGAL

Shree Badrinarayansteel
Chabraispata
Shree Warispiya
Satyasteel & Power ltd.
Supersmelter Ltd.

CHATTISGARH

Hexasteel
Sadguru Steel And Power Ltd.

TAMILNADU

Kavery Alloy Pvt. Ltd.
Jublient Alloy Pvt. Ltd.

And Many More...



HELLO PEOPLE!

We believe in best output resulting from smart effort. By approaching towards our valuable products, you will get utmost and remarkable benefits of cost saving in the form of time saving. Let's make future brighter by moving ahead together.

Timely Deliver

Good Reviews

Quality Products



15, SARDAR PATEL INDUSTRIAL ESTATE,
NEAR ODHAV RING ROAD CIRCLE, ODHAV,
AHMEDABAD-382415



info@leistertech.com,
hasengimech@gmail.com



www.leistertech.com



+91 93289 16310
+91 99091 79617

